



# Cat<sup>®</sup> Industrial Brushcutters

SKID STEER LOADERS

MULTI TERRAIN LOADERS

COMPACT TRACK LOADERS

COMPACT WHEEL LOADERS

Cat<sup>®</sup> Industrial Brushcutters are designed for land management, utilities, site prep and maintenance work for brush, small trees, and dense vegetation. These machine and work tool combinations are designed to bring unparalleled speed and productivity for clearing overgrowth from highway medians, utility easements and for initial land clearing for housing, parks, and recreational areas. The Industrial Brushcutter has been developed to withstand rugged clearing applications and provide cutting capability up to 200 mm (8 in) diameter material.

## Features:

### Fully balanced blade carrier

- Fully balanced blade carrier holds four blades to prevent unnecessary vibration.
- Blade carrier weighing 409 kg (900 lb) provides unmatched blade inertia. High inertia energy allows blades to swing through dense brush.

### Hardened reversible blades

- Hardened reversible blades provide aggressive cutting of material and deliver high performance and durability.
- Blades are attached to blade carrier with three bolts that can easily be torqued from an access panel on the top of frame.

### Anti-cavitation valve

- Anti-cavitation valve protects vital motor components improving tool life and ensuring adequate machine and work tool performance.

### Integrated accumulator

- Integrated accumulator in hydraulic system works in conjunction with the anti-cavitation valve to reduce pressure spikes to the drive motor. On shut-down, the accumulator discharges oil to the motor to slowly spin down the drivetrain. This reduces noise emitted by the motor and the cavitation.

### Heavy-duty skids

- Heavy-duty skids allow easy movement of brushcutter through uneven terrain while maintaining stability of the work tool and machine.

### Reinforced push bar

- Control and guide foliage into blades. Push bar extends beyond blades protecting bystanders.

### Rigid frame and heavy bearing case

- Improved tool life with reinforced corner gussets to provide strength in critical areas and also mulch cut material.
- Heavy Duty bearing case secures blade carrier to the drive system with a series of eight bolts.

### Tuned hydraulic performance

- The Industrial Brushcutter is designed to match with standard flow, high flow XPS, and high flow XHP hydraulics. Each hydraulic platform optimizes recovery time and reduces heat load on the carrier to work in high ambient temperature environments.



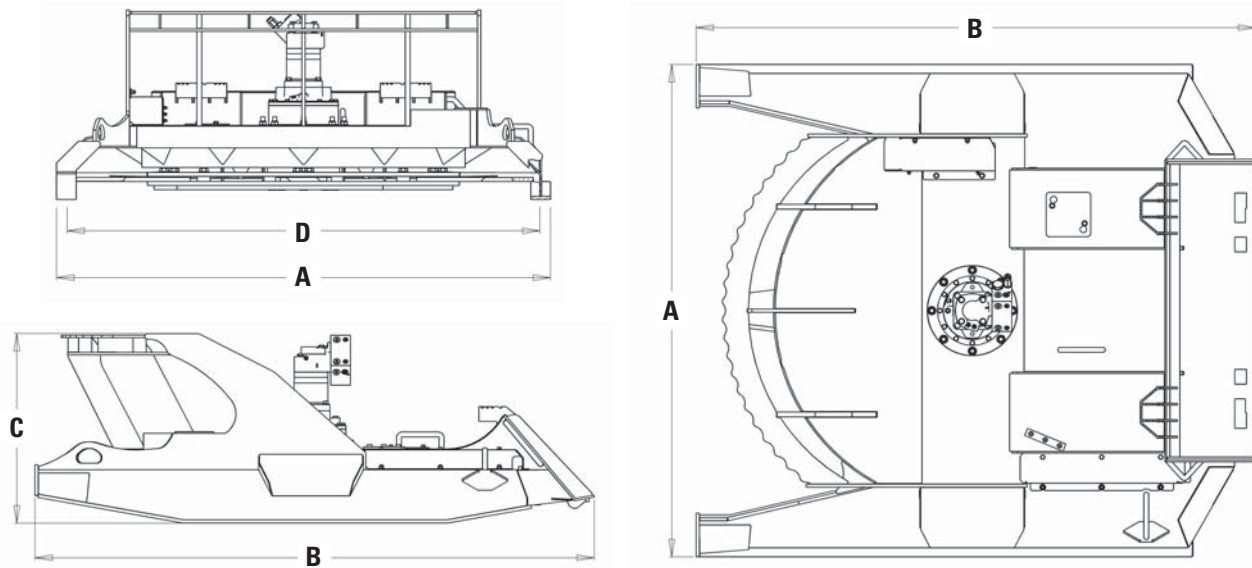
## Compatibility

Model	Machine Compatibility
<b>BRX118</b>	257D, 259D, 262D, 272D2, 272D2 XHP, 277D, 279D, 287D, 289D, 297D2, 297D2 XHP, 299D2, 299D2 XHP, 906K, 907K, 908K, 906M, 907M, 908M
<b>BRX318*</b>	257D, 259D, 262D, 272D2, 272D2 XHP, 277D, 279D, 287D, 289D, 297D2, 297D2 XHP, 299D2, 299D2 XHP, 906K, 907K, 908K, 906M, 907M, 908M
<b>BRX418</b>	272D2 XHP, 297D2 XHP, 299D2 XHP

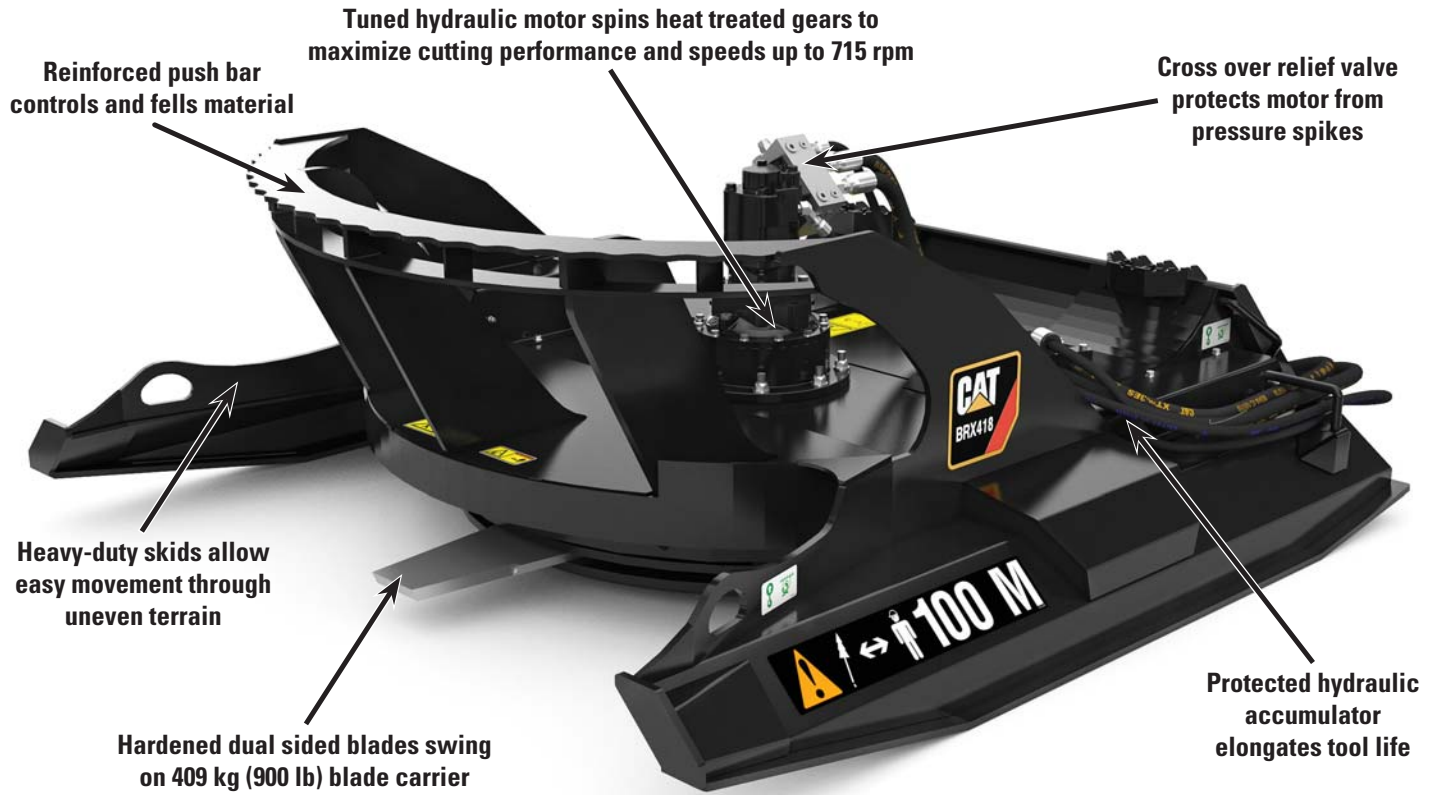
Machine model availability and attachment vary by region. Please consult your local dealer for availability.

\* Requires high flow or high flow XPS option on machine.

## Specifications



			<b>BRX118</b>		<b>BRX318</b>		<b>BRX418</b>	
<b>A</b> Overall width	mm	(in)	1911	(75)	1911	(75)	1911	(75)
<b>B</b> Overall length	mm	(in)	2168	(85)	2168	(85)	2168	(85)
<b>C</b> Overall height	mm	(in)	733	(29)	733	(29)	733	(29)
<b>D</b> Cutting width	mm	(in)	1829	(72)	1829	(72)	1829	(72)
Maximum cutting diameter	mm	(in)	200	(8)	200	(8)	200	(8)
Weight	kg	(lb)	1072	(2,364)	1072	(2,364)	1072	(2,364)
Optimal hydraulic flow	L/min	(gpm)	83	(22)	125	(33)	150	(40)
Optimal hydraulic pressure	bar	(psi)	220	(3,330)	280	(4,061)	280	(4,061)
Cutting head speed	rpm		473		596		715	
Drive shaft torque	N·m	(lbf-ft)	566	(417)	829	(611)	829	(611)



# Cat® Industrial Brushcutters

For more complete information on Cat products, dealer services, and industry solutions, visit us on the web at [www.cat.com](http://www.cat.com)

AEHQ8094 (11-2017)

© 2017 Caterpillar  
All rights reserved

Materials and specifications are subject to change without notice. Featured machines in photos may include additional equipment. See your Cat dealer for available options.

CAT, CATERPILLAR, SAFETY.CAT.COM, their respective logos, "Caterpillar Yellow" and the "Power Edge" trade dress, as well as corporate and product identity used herein, are trademarks of Caterpillar and may not be used without permission.

