



# Cat<sup>®</sup> Flail Mowers

## MINI HYDRAULIC EXCAVATORS

Cat<sup>®</sup> Flail Mowers are designed for high performance cutting of vegetation, saplings, and undergrowth from overgrown agricultural areas, retention ponds, and forested terrain. The hydraulic flail mowers reduce weeds, saplings, shrubs and small trees into mulched material, making them ideal for environmental maintenance applications, such as mowing along ditches, fence rows and retention ponds, controlling overgrowth, and cleaning up high banks and slopes.

### Features:

#### Piston motor

- Piston motor provides excellent multi-function capability of machine platform.

#### Balanced drum with bolt-on staggered teeth

- Mulching drum is weighted for maximum mulching performance and smooth operation. Staggered tooth design allows for only one tooth to contact material at all times for efficient cutting performance.

#### Bolt-on replaceable skid shoes

- Bolt-on reinforced skid shoes surround the frame and are built to last. Easy replacement as needed.

#### Counter knife design on interior of frame

- Counter knife design incorporates two machined hard ox strips inside the frame to increase material refinement.

#### Integrated stand

- Integrated stand eases access for attachment and removal. Allows mower to sit flat for storage.

#### Integrated rear roller

- Integrated roller keeps swinging teeth out of dirt as it rolls flat with the ground, helping extend tooth life and prevent excess wear.

#### Front chain guard protector

- Front chain guard protector limits material thrown from tool and helps protect the swinging teeth and drum.

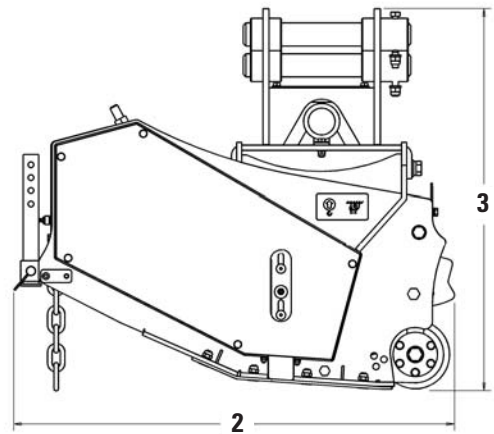
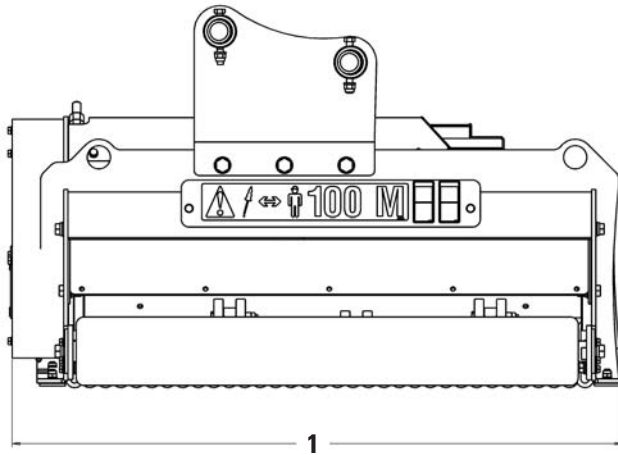
## Compatibility

Model	Machines
HMF110*	305E2 CR, 305.5E2 CR
HMF210*	308E2 CR

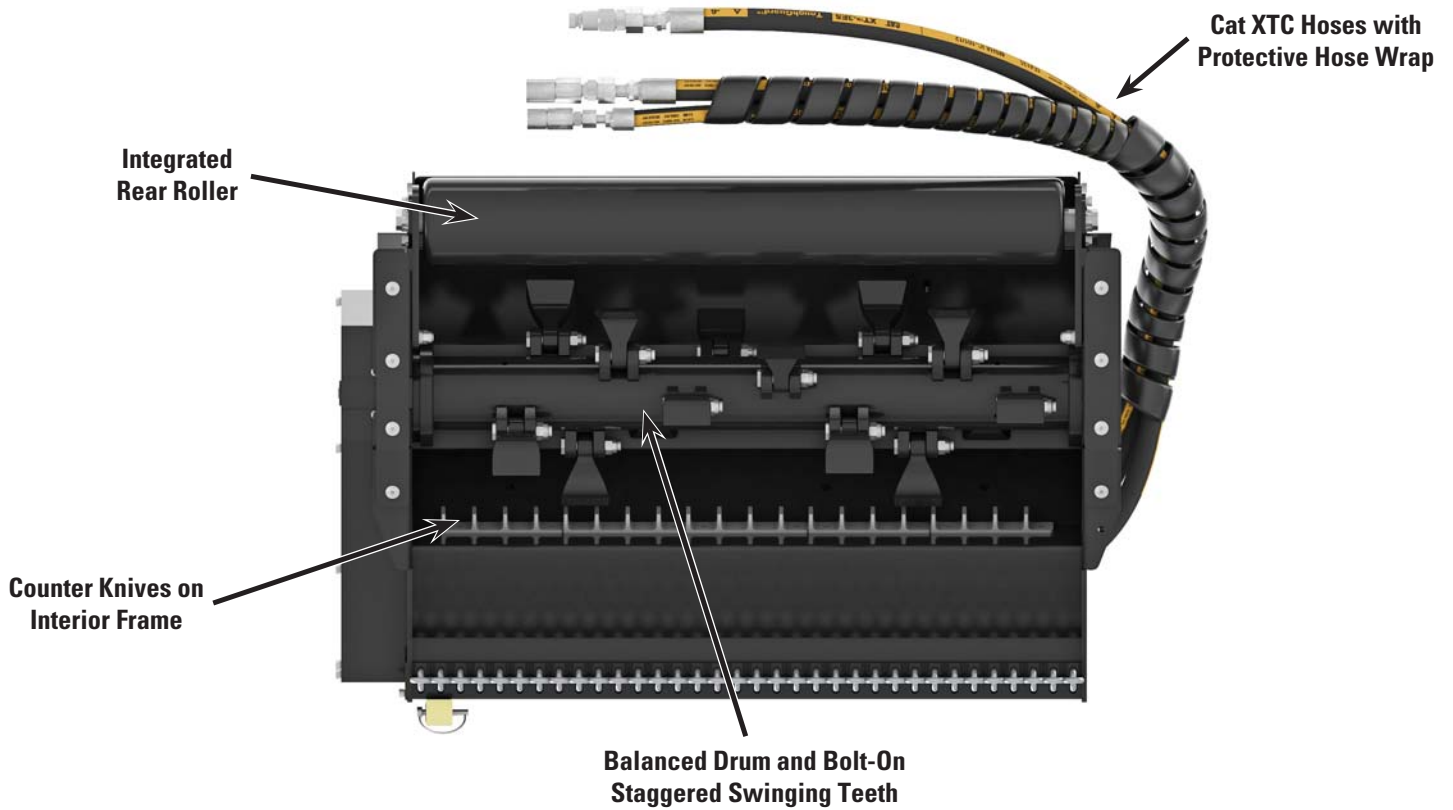
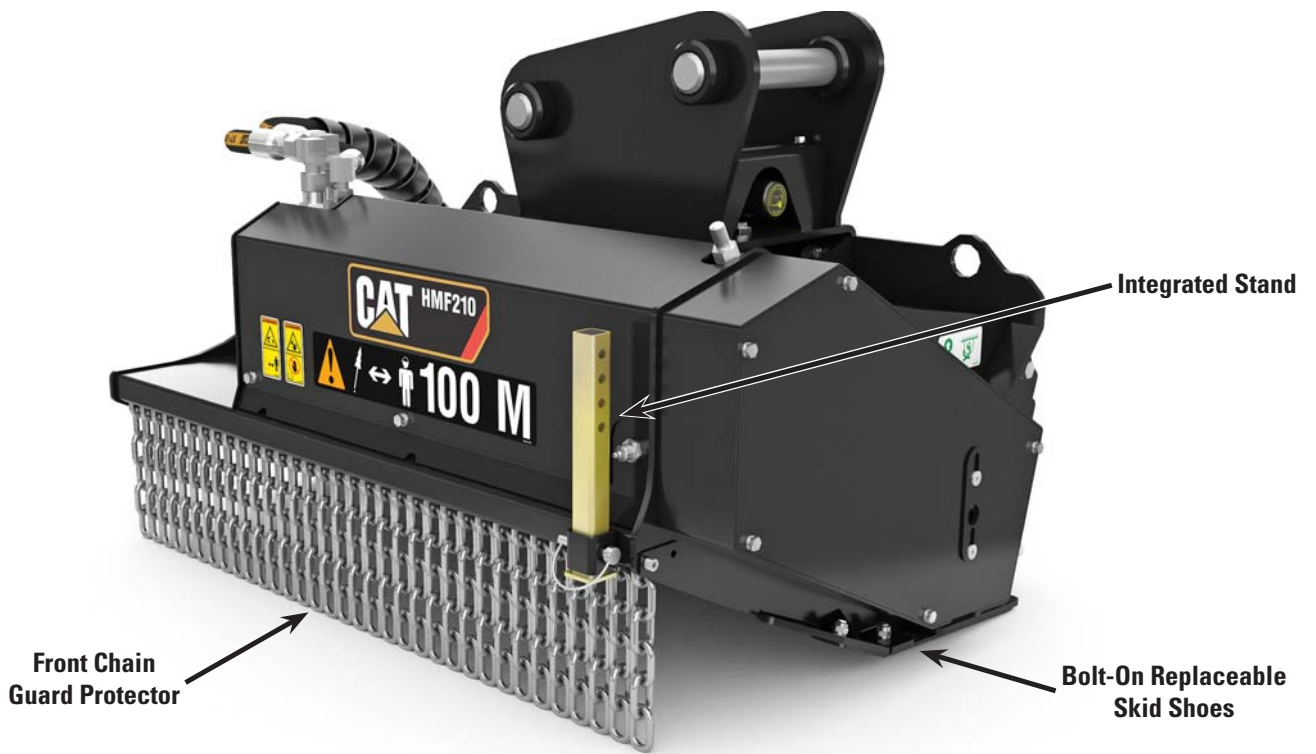
\*Requires case drain kit and guarding on machine.

# Cat® Flail Mowers

## Specifications



			<b>HMF110</b>		<b>HMF210</b>	
<b>1</b> Overall width	mm	(in)	1184	(47)	1184	(47)
Working width	mm	(in)	1000	(40)	1000	(40)
<b>2</b> Length	mm	(in)	842	(33)	842	(33)
<b>3</b> Overall height	mm	(in)	741	(29)	766	(30)
Weight	kg	(lb)	377	(830)	383	(843)
Drive method			V-belt drive		V-belt drive	
Motor			Axial piston		Axial piston	
Optimum hydraulic flow	L/min	(gpm)	50-80	(13-21)	70-130	(18-34)
Optimum hydraulic pressure	bar	(psi)	150-250	(2,175-3,626)	150-250	(2,175-3,626)
Drum speed range	rpm		2,540-2,620		2,560-2,630	
Swinging teeth per drum			16		16	
Maximum cutting diameter	mm	(in)	50-75	(2-3)	50-75	(2-3)



# Cat® Flail Mowers

For more complete information on Cat products, dealer services, and industry solutions, visit us on the web at [www.cat.com](http://www.cat.com)

© 2017 Caterpillar  
All rights reserved

Materials and specifications are subject to change without notice. Featured machines in photos may include additional equipment. See your Cat dealer for available options.

CAT, CATERPILLAR, SAFETY.CAT.COM, their respective logos, "Caterpillar Yellow" and the "Power Edge" trade dress, as well as corporate and product identity used herein, are trademarks of Caterpillar and may not be used without permission.

AEHQ8047 (06-2017)  
(Global excluding China and Japan)

